

## Disassembly of Waste Electrical and Electronic Equipment (WEEE) Manual

EU Waste Electronic and Electrical Equipment Directive require producers to provide information of the different electronic and electrical materials and components found in their products at its end-of-life, and disassembly references to treatment and recycling facilities.

The disassembly information for this product has been prepared for use by a recognized treatment or recycling facility and is not intended to be used by others.

1. Product information
2. Materials and components list for selective treatment
3. Disassembly tools
4. Disassembly references

The following information is intended only for the use of treatment and recycling facilities.

### 1. Product information

**Model name(s)**—Indicate all model name(s) within the product family

Model name
Lexmark CS310 series – <b>Lexmark CS310n, Lexmark CS310dn</b>
Lexmark CS410 series – <b>Lexmark CS410n, Lexmark CS410dn, Lexmark CS410dtn</b>
Lexmark CS510 series – <b>Lexmark CS510de, Lexmark CS510dte</b>
Lexmark CX310 series <b>Lexmark CX310n, Lexmark CX310dn</b>
Lexmark CX410 series – <b>Lexmark CX410e, Lexmark CX410de, Lexmark CX410dte</b>
Lexmark CX510 series – <b>Lexmark CX510de, Lexmark CX510dhe, Lexmark CX510dthe</b>

### 2. Materials and components list for selective treatment

Items	Quantity	Notes
Polychlorinated biphenyls (PCB) containing capacitors	0	N/A
Mercury containing components, such as switches or backlighting lamps	0	N/A
Batteries	1	Lithium Manganese Dioxide coin cell located on the <a href="#">Controller card</a>

Items	Quantity	Notes
Printed circuit boards greater than 10 cm <sup>2</sup>	multiple	6 – Lexmark CS310, CS410, CS510 9 – Lexmark CX310, CX410, CX510  Additional one (1) for each optional 550 or 650-sheet duo tray  See details in <a href="#">Annex B</a>
Toner cartridges, liquid and pasty, as well as colour toner	9	4 – Toner cartridges 4 – Imaging units 1 – Waste toner bottle
Plastic containing brominated flame retardants	multiple	12 – Lexmark CS310, CS410, CS510 17 – Lexmark CX310, CX410, CX510  See details in <a href="#">Annex A</a>
Asbestos waste and components which contain asbestos	0	N/A
Cathode ray tubes	0	N/A
Chlorofluorocarbons (CFC), Hydrochlorofluorocarbons (HCFC) or Hydrofluorocarbons (HFC), Hydrocarbons (HC)	0	N/A
Gas discharge lamps	0	N/A
Liquid Crystal Display (LCD) greater than 100 cm <sup>2</sup> and those back-lighted with Gas discharge lamps	0	
External electrical cables	1	Power cord located on the back lower left quadrant
Components containing refractory fibres	0	N/A
Components containing radioactive substances	0	N/A
Electrolyte capacitors containing substances of concern ( <i>capacitors with height &gt; 25 mm, diameter &gt; 25 mm or proportionately similar volume</i> )	2	Capacitor(s) located on <a href="#">Power Supply</a>
Electrical and Electronic (EE) Customer Replaceable Devices	2	See details in <a href="#">Annex C</a>
Electrical and Electronic (EE) Customer Replaceable Internal/External Card options	multiple	See details in <a href="#">Annex D</a>

### 3. Disassembly tools

Item Description
#2 Phillips screwdriver, magnetic
Wire cutter
E-clip puller or small flat-head screwdriver
Standard slotted head screwdriver

### 4. Disassembly references

#### 4.1. Removal procedures

WEEE materials and components removal procedures are available upon request.  
Contact: [recycling@lexmark.com](mailto:recycling@lexmark.com)

#### 4.2. Graphical illustration of material's and component's location

*See next page*



*LCD >100 cm<sup>2</sup> are identified with cyan-filled boxes*



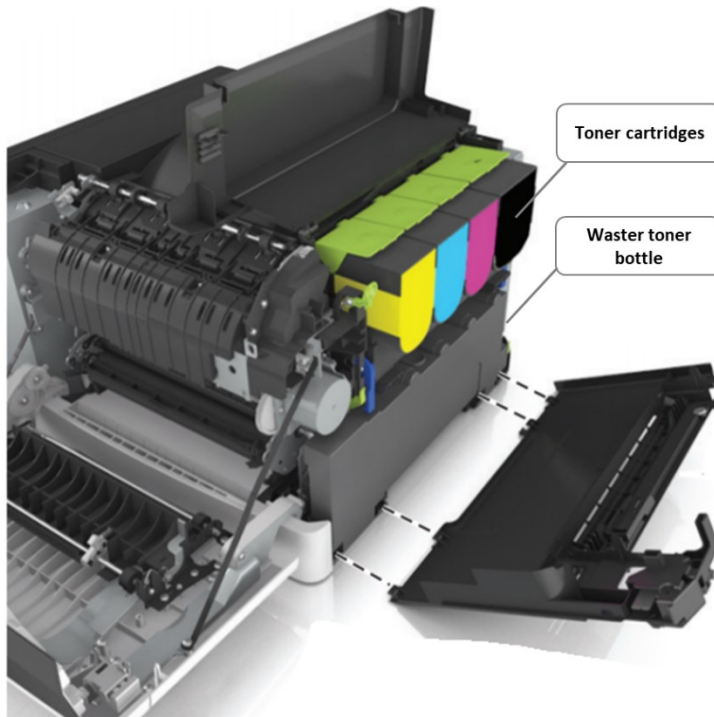
*PCBs >10 cm<sup>2</sup> are identified with green-filled boxes*



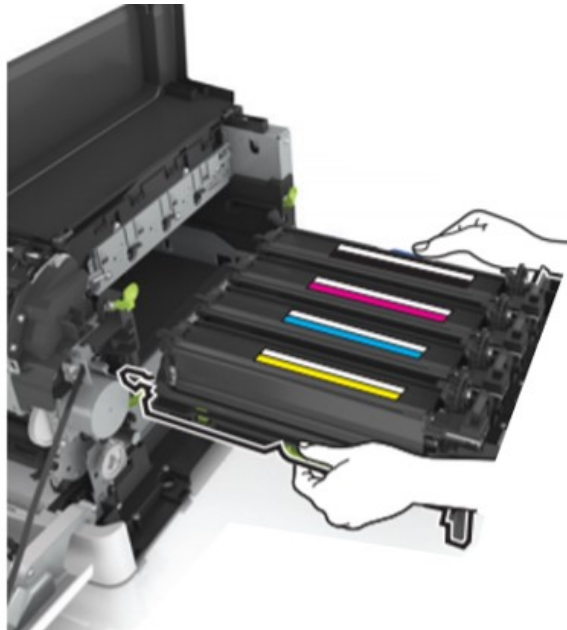
*Printer components containing Brominated flame retardants are identified with orange-filled boxes*

**CS/CX310, CS/CX410, CS/CX510 Series  
Location**

**Supplies**



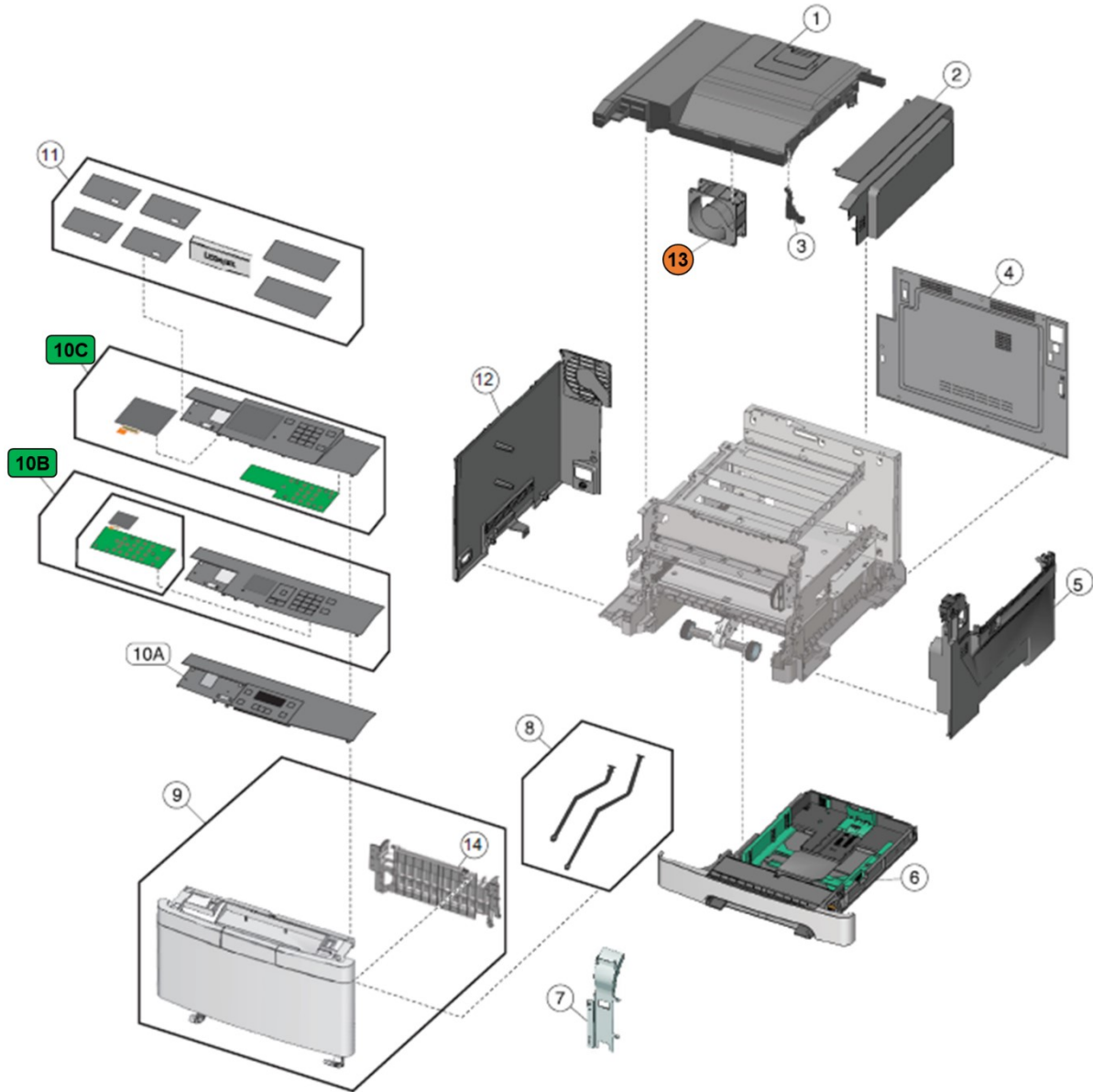
**Toner cartridges and Waste toner bottle**



**Developer units**

**CS/CX310, CS/CX410, CS/CX510 Series  
Location**

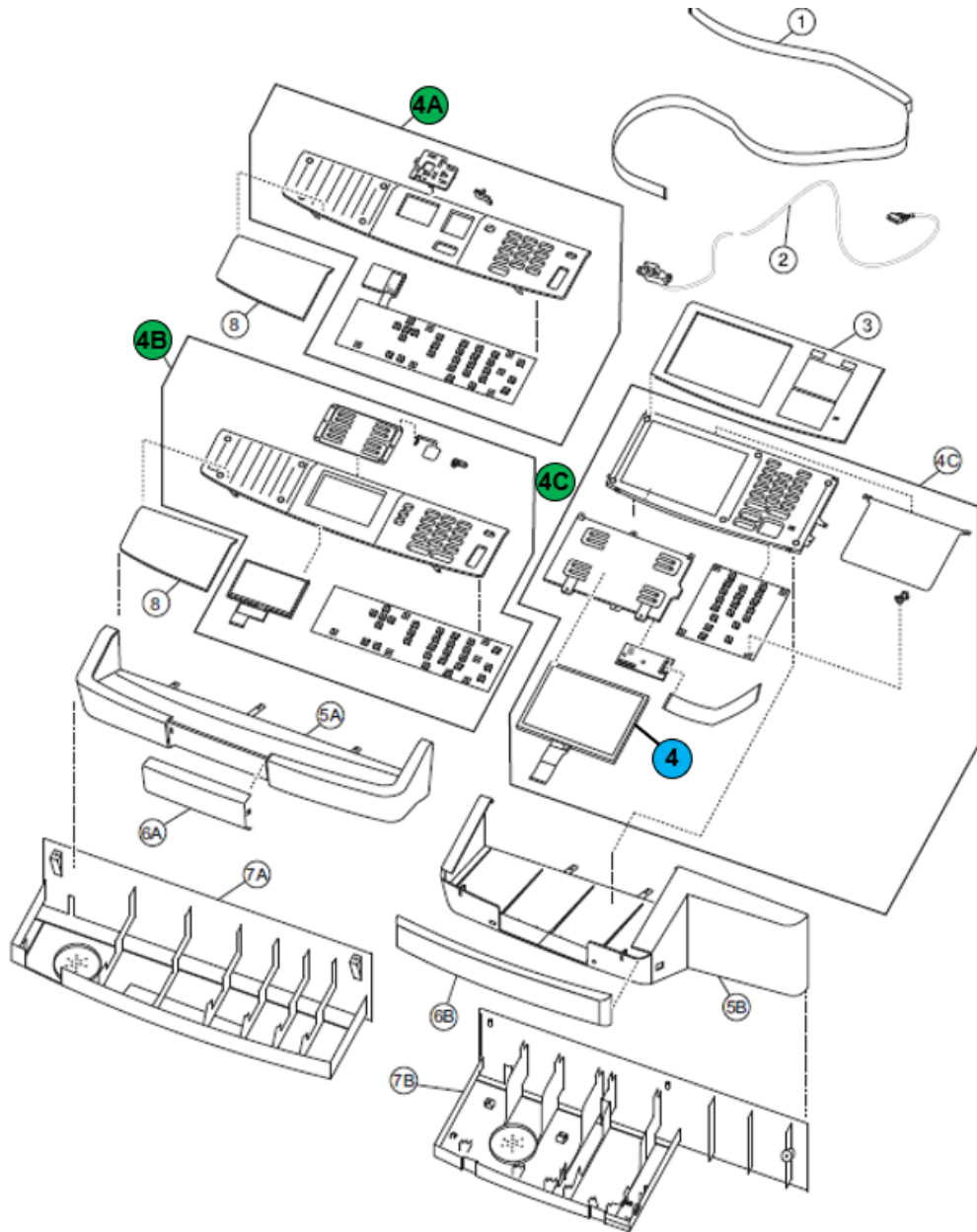
**MS Covers**



<b>Index</b>	<b>Description</b>
10B	UICC board in CS310, CS410 Op panel
10C	UICC board in CS51x Op panel
13	System fan

**CS/CX310, CS/CX410, CS/CX510 Series  
Location**

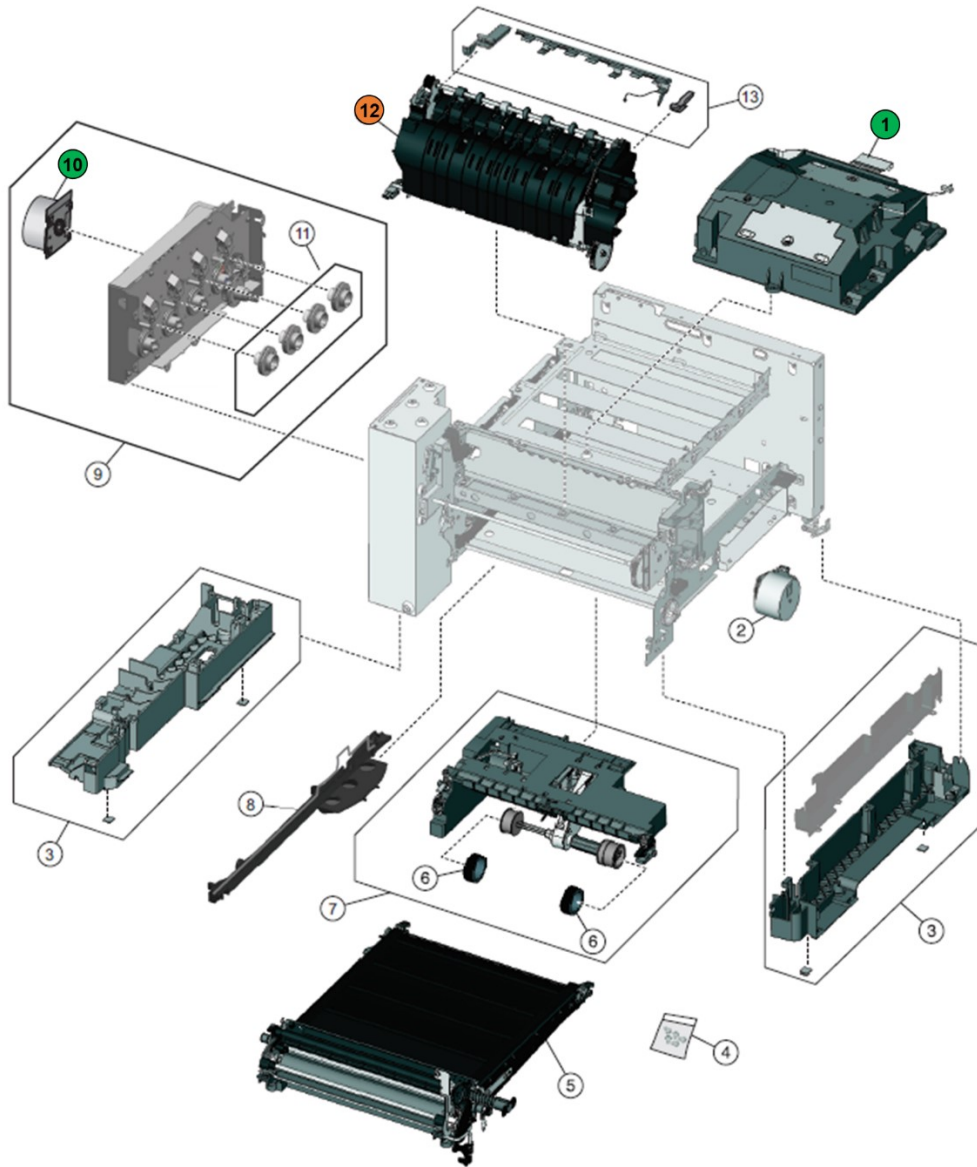
**MX Series Op panel**



<b>Index</b>	<b>Description</b>
4A	UICC board in CX310 Op panel
4B	UICC board in CX410 Op panel
4C	UICC board in CX510 Op panel
4	7in CX510 panel

**CS/CX310, CS/CX410, CS/CX510 Series  
Location**

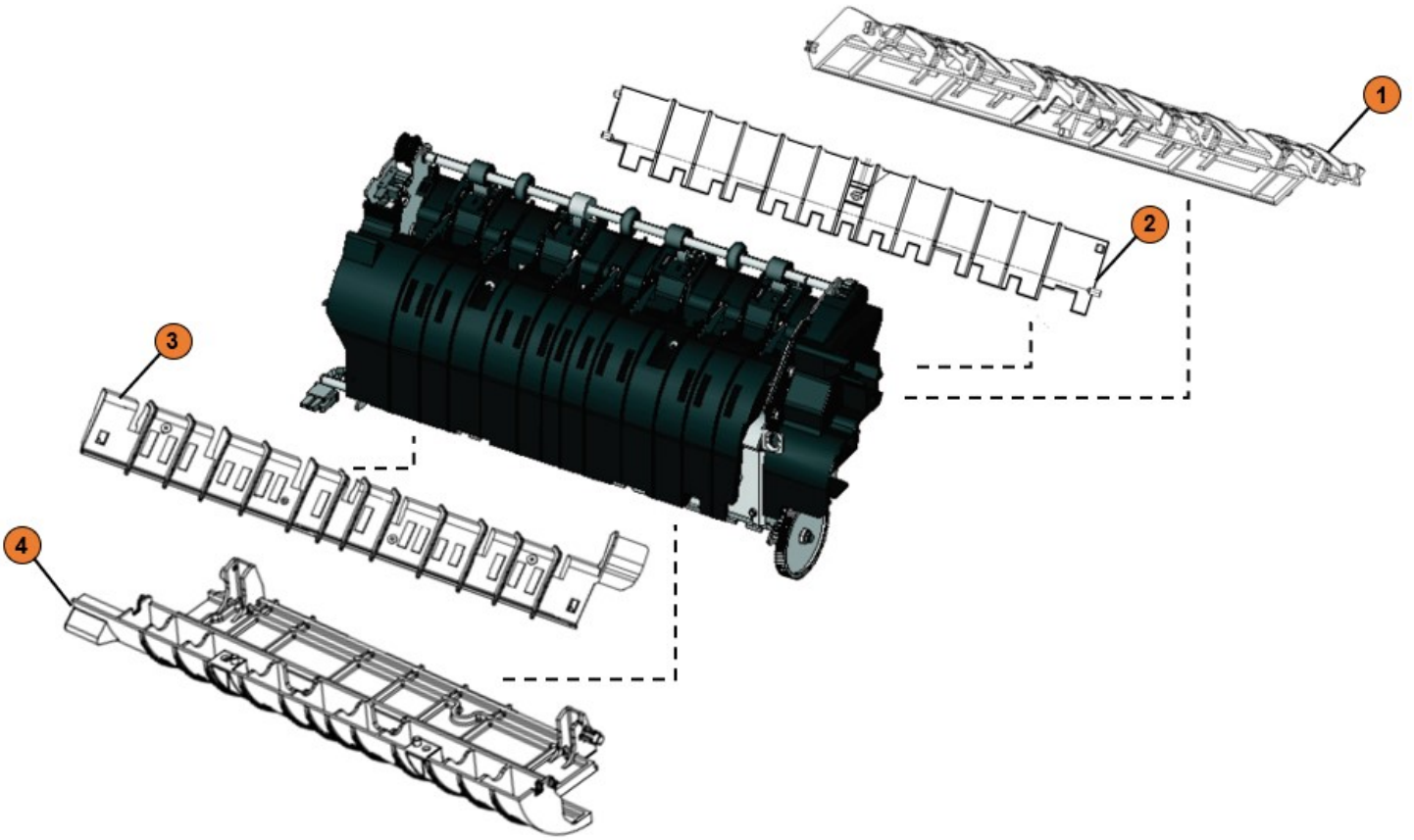
**Frames**



<b>Index</b>	<b>Description</b>
1	Printhead card within the assembly
5	Drive unit motor within the assembly
10	CRU - Image Transfer Unit (ITU)
12	Brominated parts within Fuser module assembly (See details in next page)

CS/CX310, CS/CX410, CS/CX510 Series  
Location

Fuser

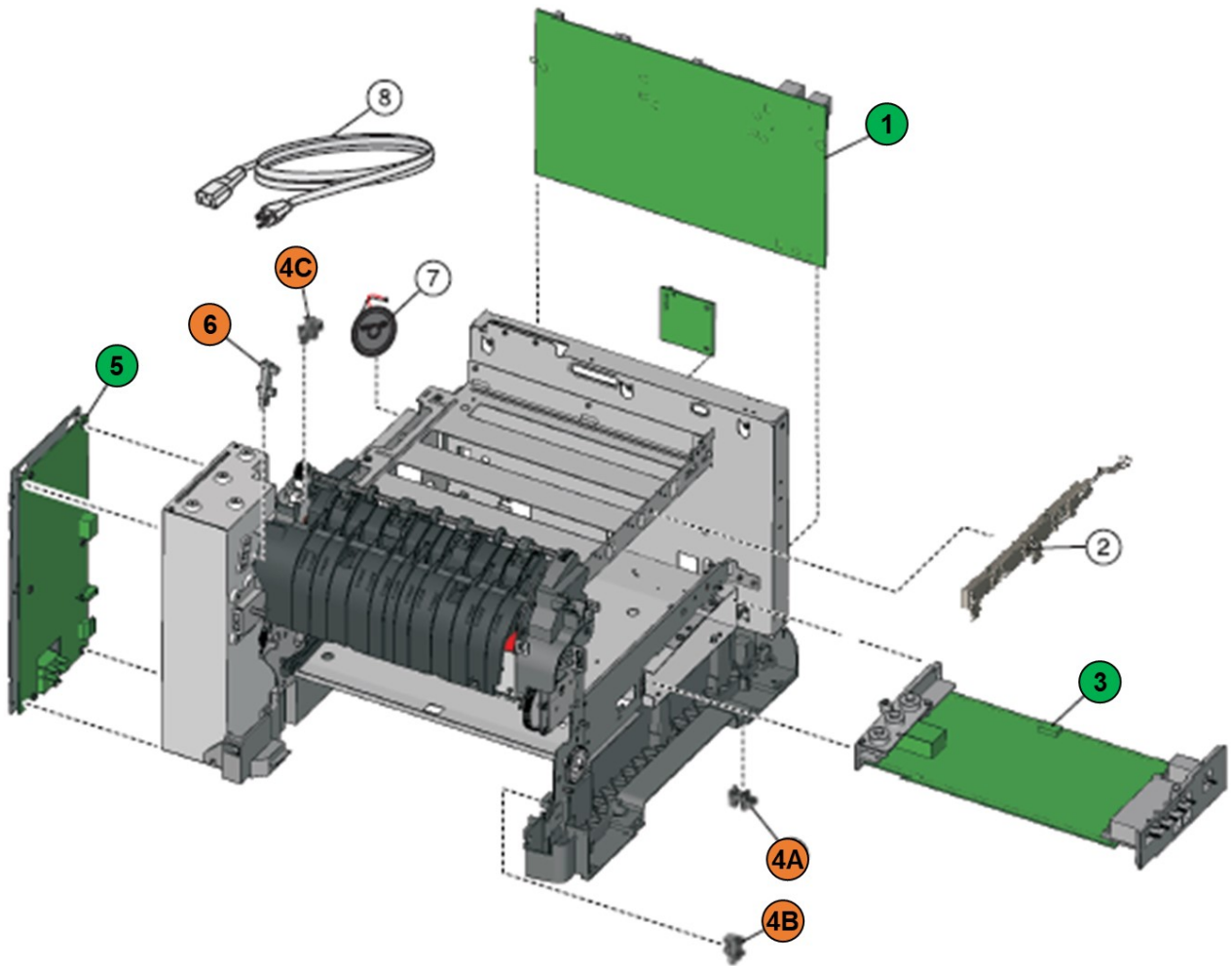


Index	Description
1	GUIDE (MECHANICAL)-INNER EXIT
2	GUIDE (MECHANICAL)-LOWER ENTRY
3	GUIDE (MECHANICAL)-OUTER EXIT
4	GUIDE (MECHANICAL)-DUPLEX



**CS/CX310, CS/CX410, CS/CX510 Series  
Location**

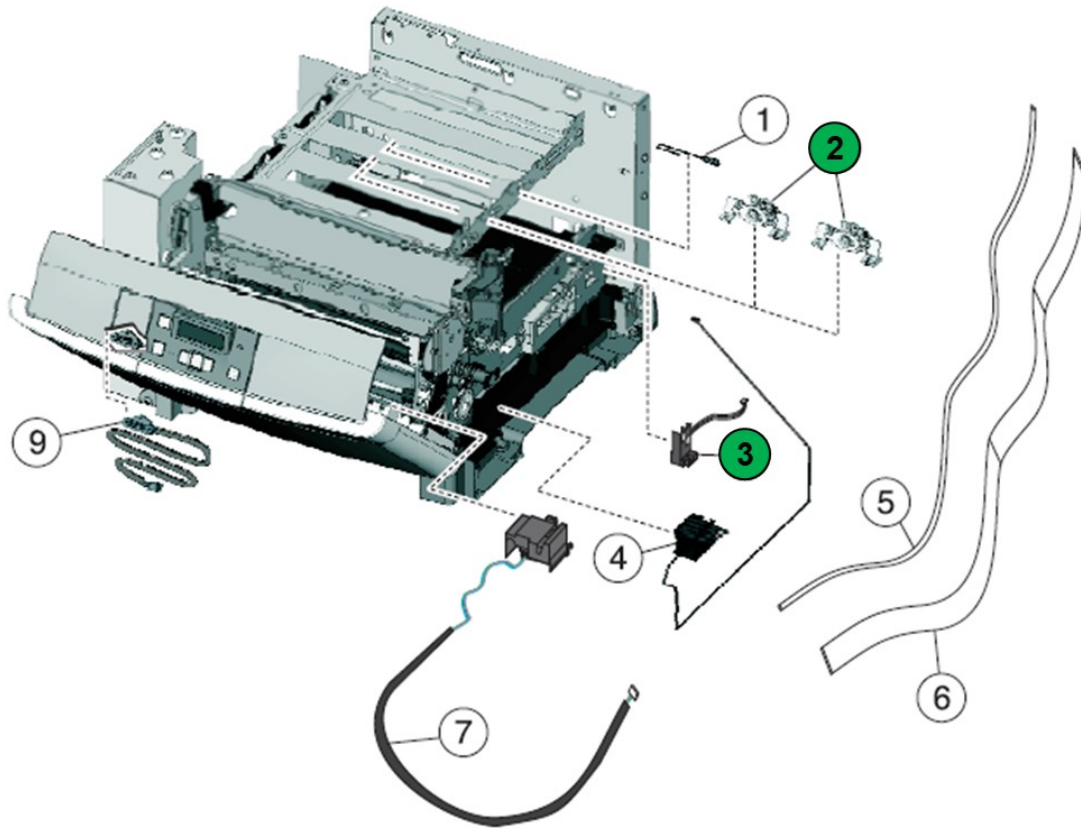
**Electronics**



Index	Description
1	Controller board
3	High-voltage power supply
4A	Tray present sensor
4B	Duplex sensor
4C	Narrow media sensor
5	Low-voltage power supply (universal power supply)
6	Fuser exit sensor
8	Power cord

**CS/CX310, CS/CX410, CS/CX510 Series  
Location**

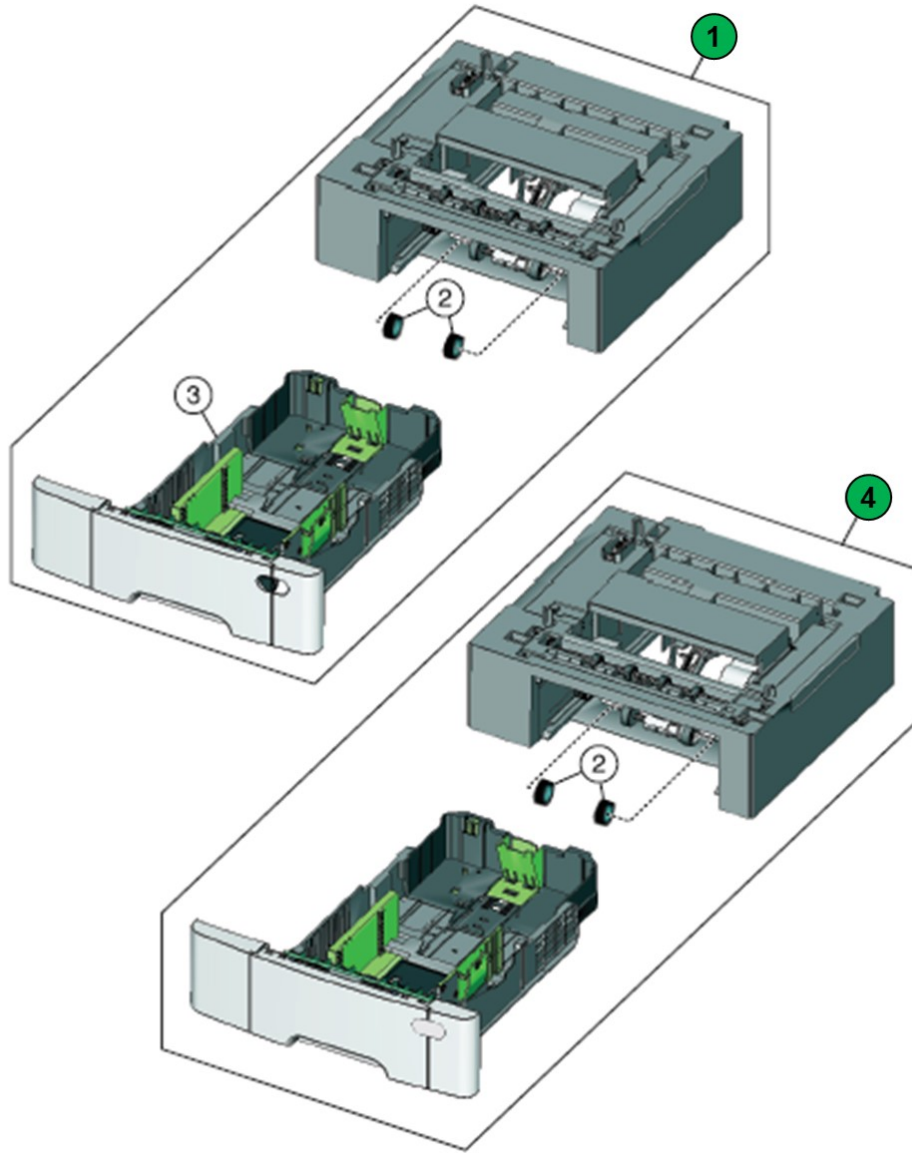
**Cables and Sensors**



Index	Description
2	Toner density sensors, left or right (one in package)
3	Waste toner bottle sensor

**CS/CX310, CS/CX410, CS/CX510 Series  
Location**

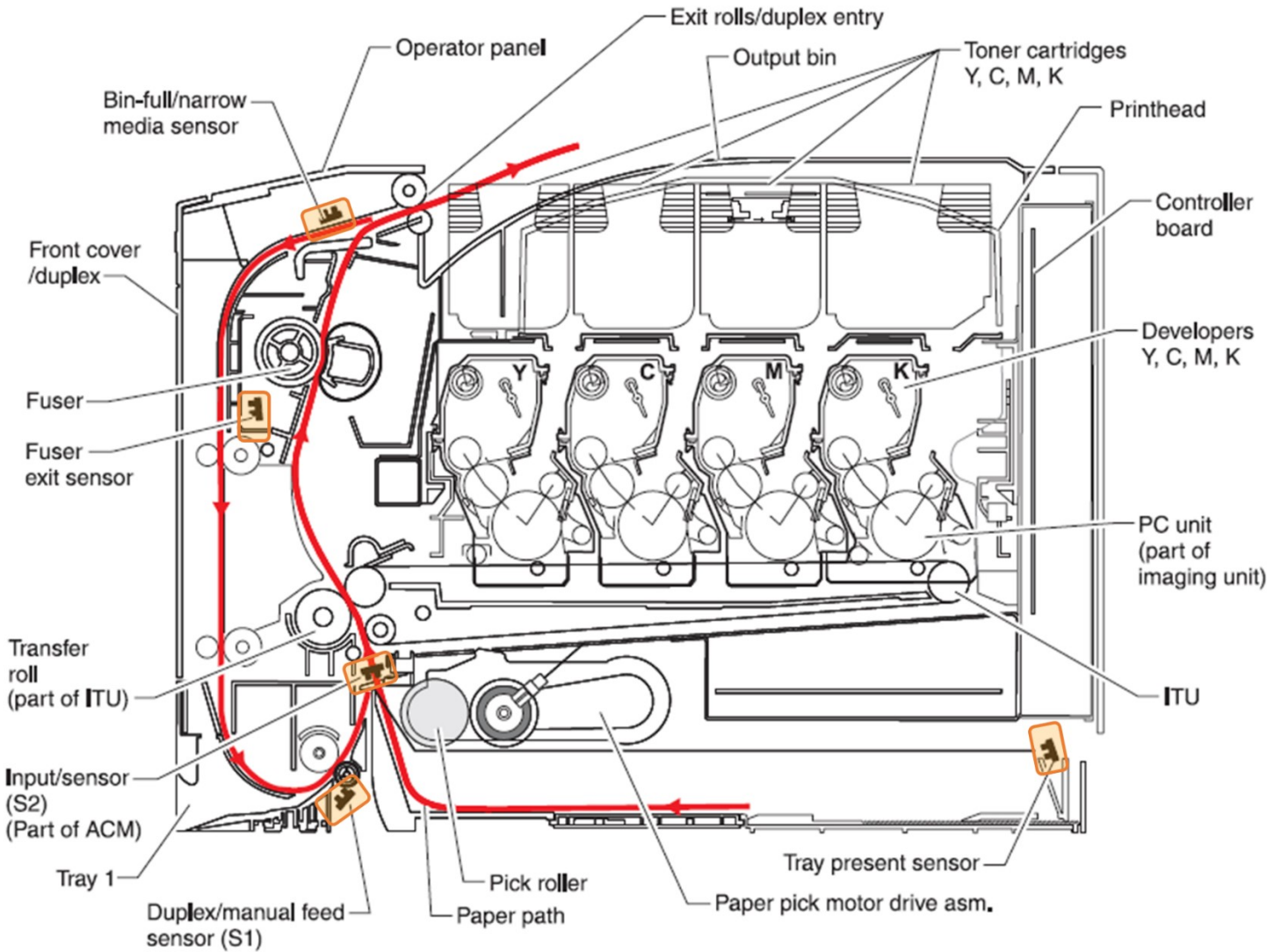
**Media drawers and trays**



<b>Index</b>	<b>Description</b>
1	650-sheet duo drawer card within the assembly
4	550-sheet duo drawer card within the assembly

**CS/CX310, CS/CX410, CS/CX510 Series  
Location**

**Sensors**



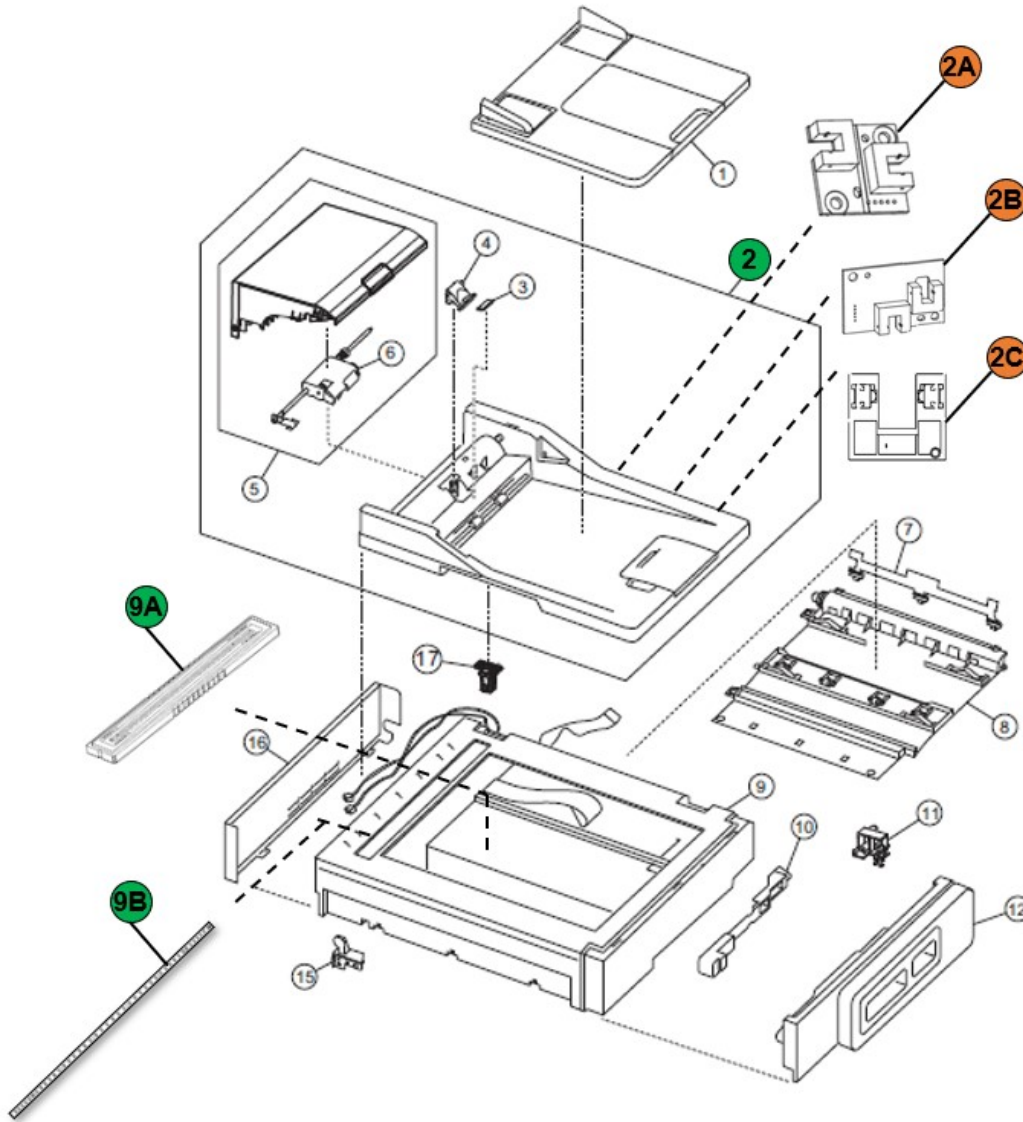
*Picture does not show all sensors used by the product*

Index	Description
	Bin-full/ narrow media sensor
	Fuser exit sensor
	Input/ sensor
	Duplex/ manual feed sensor
	Tray present sensor

**CX310, CX410, CX510 Series**

## Location

### ADF and Flatbed Scanner



Index	Description
2	ADF card within the assembly
2A	ADF - PCBA_sensor_doc&stage_assy/ ADF - PCBA sensor stage skew
2B	ADF - FEED SENSOR PCBA DIP
2C	ADF cover sensor
9A	Flatbed CCD card
9B	Flatbed 42LED bard card
	Flatbed – Home sensor (Not shown) within Flatbed assembly

#### Annex A – Printer, ADF and Flatbed Scanner components with Brominated Flame Retardants

Index	Part Description	Parts Marking	Location	CS Series	CX Series
1	GUIDE (MECHANICAL)-INNER EXIT	PET- (GF+MD)45FR(17)	<a href="#">Fuser</a>	X	X
2	GUIDE (MECHANICAL)- LOWER ENTRY	PET- (GF+MD)45FR(17)		X	X
3	GUIDE (MECHANICAL)- OUTER EXIT	PET- (GF+MD)45FR(17)		X	X
4	GUIDE (MECHANICAL)- DUPLEX	PET- (GF+MD)45FR(17)		X	X
5	System fan	N/A	<a href="#">Frames</a>	X	X
6	Toner density sensors	N/A	<a href="#">Cables and Sensors</a>	X	X
7	Waste toner bottle sensor	N/A		X	X
8	Bin-full/ narrow media sensor	N/A		X	X
9	Fuser exit sensor	N/A	<a href="#">Sensors</a>	X	X
10	Input/ sensor	N/A		X	X
11	Duplex/ manual feed sensor	N/A		<a href="#">Electronics</a>	X
12	Tray present sensor	N/A	X		X
13	ADF - PCBA_sensor_doc&sta ge_assy	N/A	<a href="#">ADF assembly</a>		X
14	ADF - PCBA_sensor_stage_s kew	N/A			X
15	ADF - FEED SENSOR PCBA DIP	N/A			X
16	ADF - PCBA_sensor_ADF_Co ver_assy	N/A			X
17	Flatbed – Home sensor	N/A	<a href="#">Flatbed assembly</a>		X

## Annex B – Printer, ADF and Scanner and Options Printed Circuit Boards >10cm<sup>2</sup>

Index	Description	Quantity	Location	CS Series	CX Series
1	UICC board in CS310, CS410 Op panel	1	<a href="#">MS Covers</a>	X	
	UICC board in CS51x Op panel	1		X	
	UICC board in CX310 Op panel	1	<a href="#">MX Series Op panel</a>		X
	UICC board in CX410 Op panel	1		X	
	UICC board in CX510 Op panel	1		X	
2	Printhead card	1	Within <a href="#">Printhead assembly in Frames</a>	X	X
3	Drive unit motor card	1	<a href="#">Frames</a>	X	X
4	Controller board	1	<a href="#">Electronics</a>	X	X
5	High-voltage power supply	1		X	X
6	Low-voltage power supply (universal power supply)	1		X	X
7	650-sheet duo drawer card	1	Within <a href="#">Media drawers and trays assembly</a>	X	X
8	550-sheet duo drawer card	1		X	X
9	ADF card	1	Within ADF assembly		X
10	Flatbed CCD card	1	Within <a href="#">Flatbed CCD assembly</a>		X
11	Flatbed 42LED bar card	1	Within <a href="#">Flatbed assembly</a>		X

### Annex C – Electrical and Electronic (EE) Customer Replaceable Devices

Index	Part Number	Description	Location	CS Series	CX Series
1	38C0626	CS/CX 310,410,510 650-Sheet Duo Tray	<a href="#">Media drawers and trays</a>	X	X
2	38C0636	CS/CX 410, 510 550- Sheet Tray		X	X

### Annex D – Electrical and Electronic (EE) Customer Replaceable Internal/External Card options

Index		Description	Location	CS Series	CX Series
1	57X9016 57X9012 57X9101 27X0200	Memory options	<a href="#">Attached to Controller card</a>	X	X
2	38C5050 38C5051 38C5052 38C5053 38C5054 38C5055	Forms and Bar Code Card		X	X
3	57X9110 57X9112 57X9114 57X9115	Font cards		X	X
4	27X0125 14T0230 14T0220	Network connections		X	X